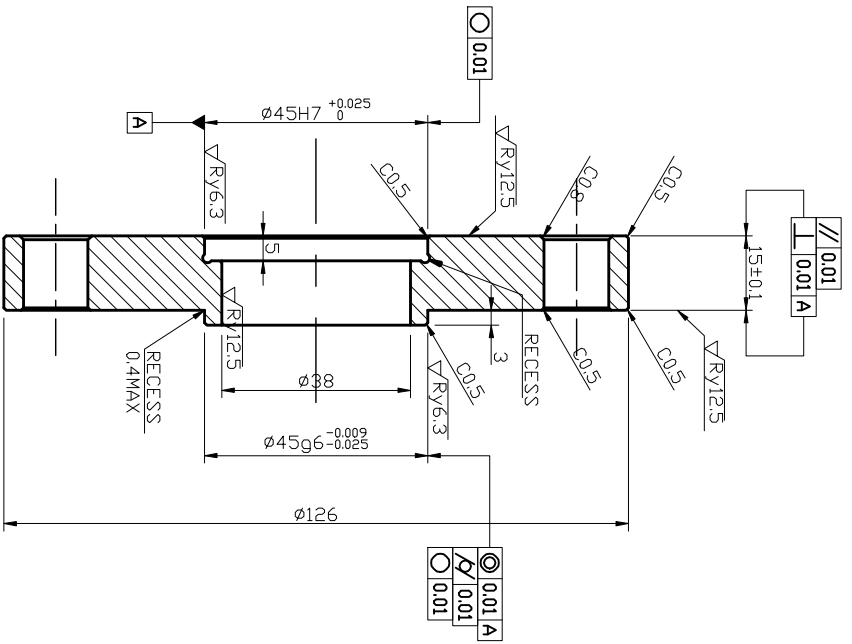
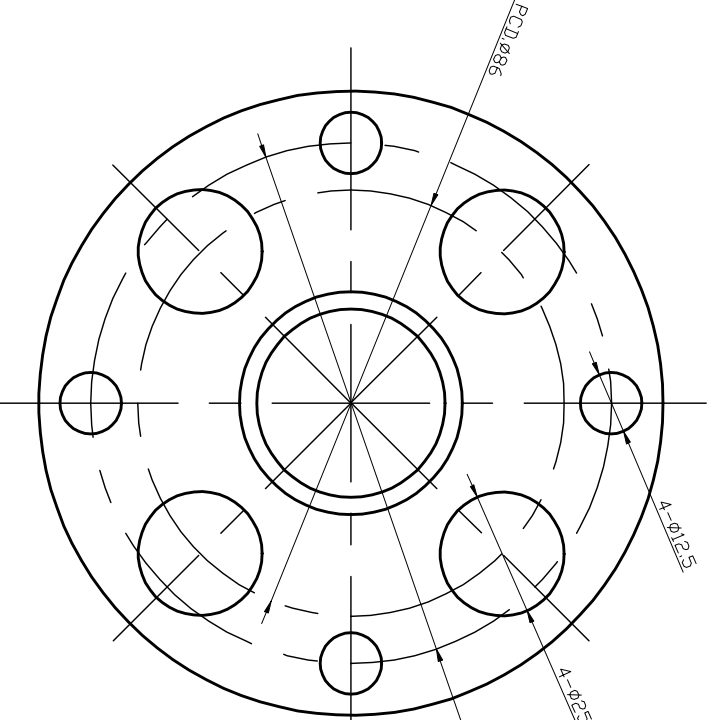


NOTE: 1) CHAMFER THE EDGES TO C0.5 UNLESS OTHERWISE SPECIFIED.



| | | | | | | | | | | | | |
|--------|----------|--|-----------------|--|--------|--|--------------------|--|----------|--|---------|--|
| SCM415 | APPROVED | | THIRD ANGLE PRO | | FINISH | | SCALE | | QUANTITY | | ORIGIN | |
| | CHECKED | | TOLERANCE | | DIMEN | | 1 | | 1 | | FABRICT | |
| | DRAW | | ANGLE | | H/2 | | 1 | | ORIGIN | | EQUIP | |
| | DATE | | H/2 | | DEG | | THICKNESS 15.0 MM. | | DATE | | NO. | |
| | DRAW | | DATE | | DATE | | DWG. NO. | | DATE | | | |
| | DRAW | | DATE | | DATE | | | | DATE | | | |
| | DRAW | | DATE | | DATE | | | | DATE | | | |
| | DRAW | | DATE | | DATE | | | | DATE | | | |
| | DRAW | | DATE | | DATE | | | | DATE | | | |
| | DRAW | | DATE | | DATE | | | | DATE | | | |
| | DRAW | | DATE | | DATE | | | | DATE | | | |
| | DRAW | | DATE | | DATE | | | | DATE | | | |
| | DRAW | | DATE | | DATE | | | | DATE | | | |
| | DRAW | | DATE | | DATE | | | | DATE | | | |
| | DRAW | | DATE | | DATE | | | | DATE | | | |
| | DRAW | | DATE | | DATE | | | | DATE | | | |
| | DRAW | | DATE | | DATE | | | | DATE | | | |
| | DRAW | | DATE | | DATE | | | | DATE | | | |
| | DRAW | | DATE | | DATE | | | | DATE | | | |
| | DRAW | | DATE | | DATE | | | | DATE | | | |
| | DRAW | | DATE | | DATE | | | | DATE | | | |
| | DRAW | | DATE | | DATE | | | | DATE | | | |
| | DRAW | | DATE | | DATE | | | | DATE | | | |
| | DRAW | | DATE | | DATE | | | | DATE | | | |
| | DRAW | | DATE | | DATE | | | | DATE | | | |
| | DRAW | | DATE | | DATE | | | | DATE | | | |
| | DRAW | | DATE | | DATE | | | | DATE | | | |

18 17 16 15 14 13 12 11 10 9 8 7 6 5 A-3