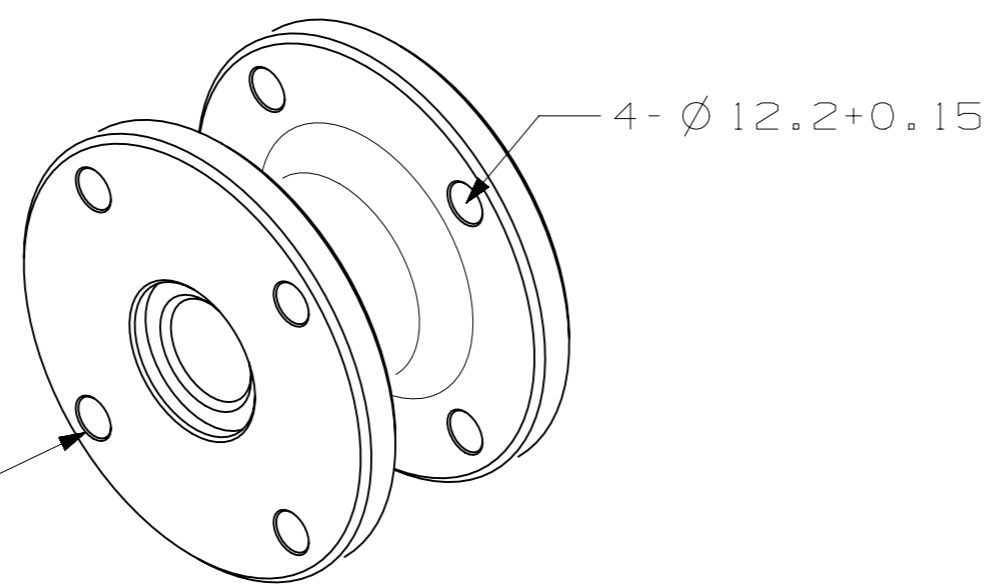


SECTION A - A

Note: 1 Chamfer not show are 0.3 mm
 2 Tolerance not show $\pm 0,3$ mm
 3 material is S45C-S50C



$4 - \varnothing 12,2 + 0,15$

3D CAD MASTER PART NAME :

ALL DIMENSIONS IN MM

SIEMENS		TITLE	
FIRST ISSUED		Addaptor V5M31S	
DRAWN BY			
CHECKED BY			
APPROVED BY		SIZE DRG NO.	REV
		A3 DWG KTP 2014-001	
		SCALE 1:1	SHEET 2 OF 2
		Rev.00	